

**RUNDELL ERNSTBERGER ASSOCIATES, LLC**  
 Land Planning + Urban Design + Landscape Architecture  
 611 W Main Street, Suite 201, Louisville, KY 40202  
 TE (502) 561.8676 FX (502) 561.9076  
 E-mail: re@louisville.ernstberger.com  
 www.reasite.com

additional offices in:  
 Indianapolis, IN | Muncie, IN

PREPARED FOR:  
**City of Rapid City**  
 Public Works Department  
 300 Sixth Street, Rapid City, SD 57701  
 TE (605) 394-4165 FX (605) 355-3083

**Destination Rapid City**  
 606 Main Street, Rapid City, SD 57701  
 TE (605) 716-7979 FX (605) 341-6415

CONSULTANTS:  
**FourFront Design, Inc.**  
 Architecture and Civil Engineering  
 517 Seventh Street  
 Rapid City, SD 57701  
 TE (605) 342-9470 FX (605) 342-2377

**Skyline Engineering, LLC**  
 Electrical and Mechanical Engineering  
 615 12th Street  
 Rapid City, SD 57701  
 TE (605) 737.3830 FX (605) 737.3859

**Albertson Engineering, Inc.**  
 Structural Engineering  
 3202 W Main Street, Suite C  
 Rapid City, SD 57702  
 TE (605) 343.9606 FX (605) 341.7395

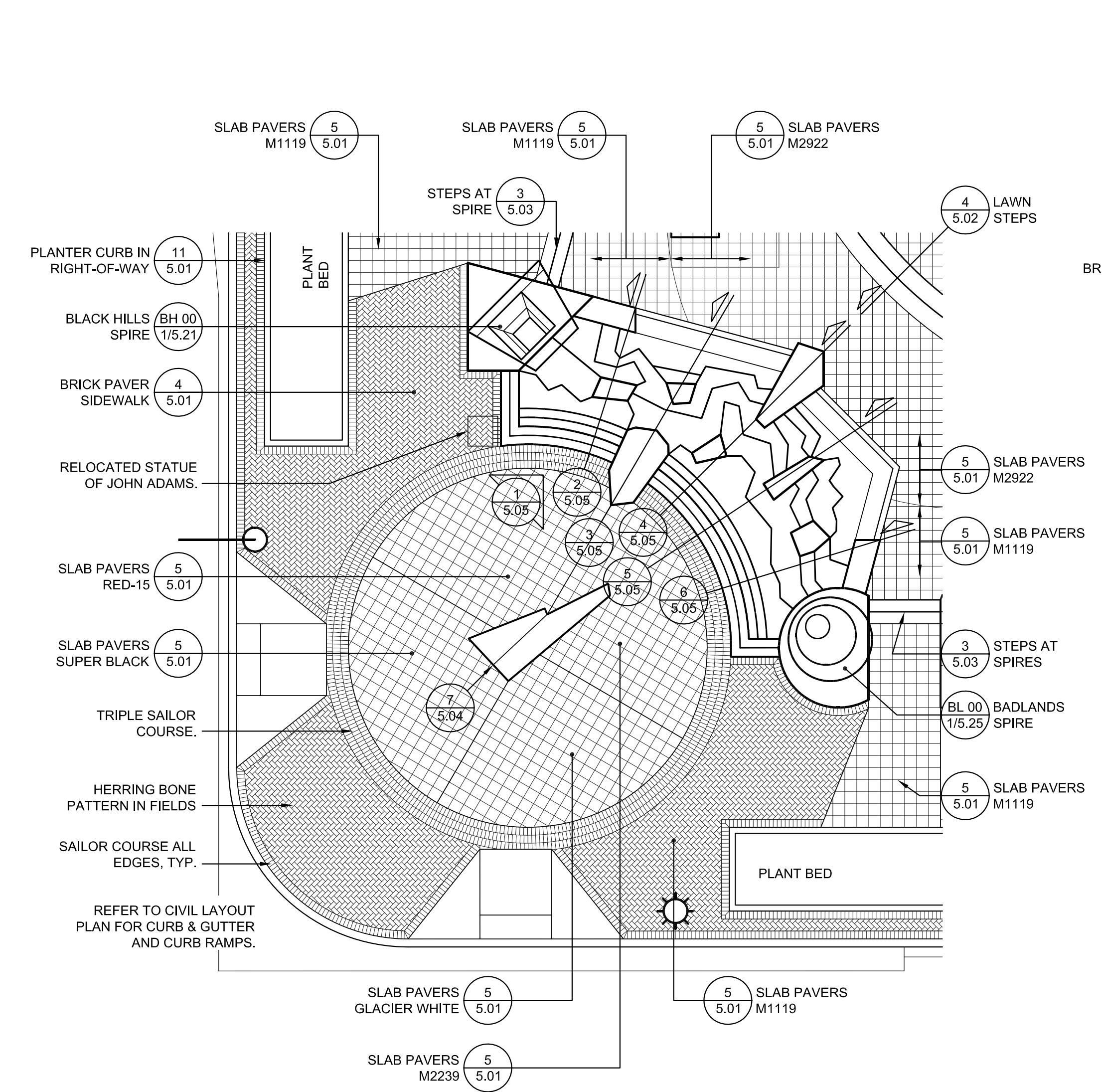
PROJECT:  
**Main Street Square  
 Site Development  
 Rapid City, South Dakota**

REVISIONS:			
NO.	BY	DESCRIPTION	DATE

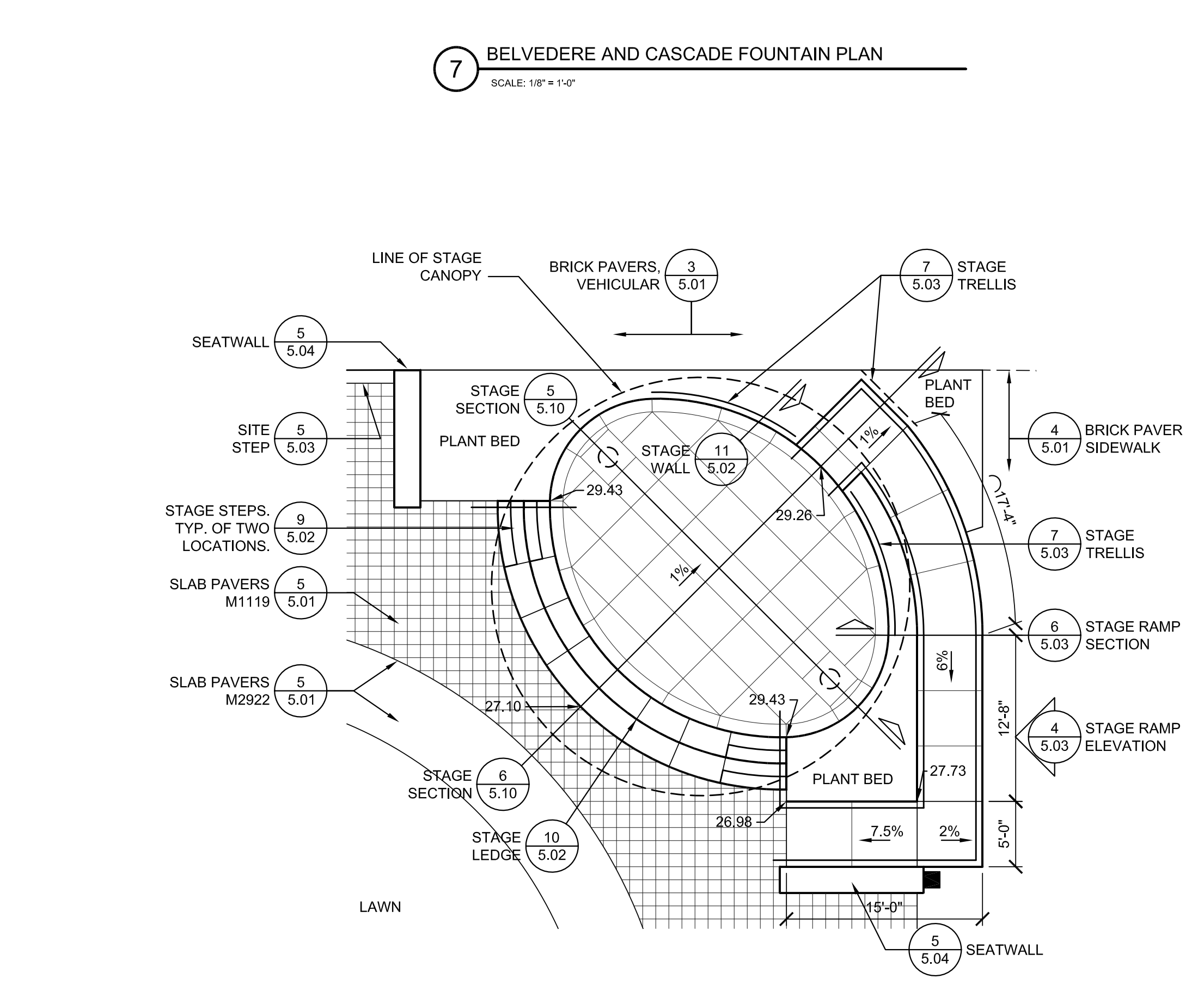
**COPYRIGHT NOTICE:**  
 THE CONCEPTS, IDEAS, DESIGNS, PLANS, AND DETAILS AS SHOWN ON THIS DOCUMENT ARE THE SOLE PROPERTY OF RUNDELL ERNSTBERGER ASSOCIATES, LLC AND WERE CREATED, DEVELOPED, AND PRESENTED FOR USE ON THIS SPECIFIC PROJECT. NONE OF THE CONCEPTS, IDEAS, DESIGNS, PLANS, AND DETAILS SHALL BE USED BY ANY PERSON, FIRM OR CORPORATION FOR ANY PURPOSE WHATSOEVER, WITHOUT THE EXPRESSED WRITTEN CONSENT OF RUNDELL ERNSTBERGER ASSOCIATES, LLC. THE OWNER/CIENT SHALL BE PERMITTED TO RETAIN COPIES FOR INFORMATION AND REFERENCE IN CONNECTION WITH THIS PROJECT.

DRAWING NAME:  
**Plan Enlargements  
 and Elevations**

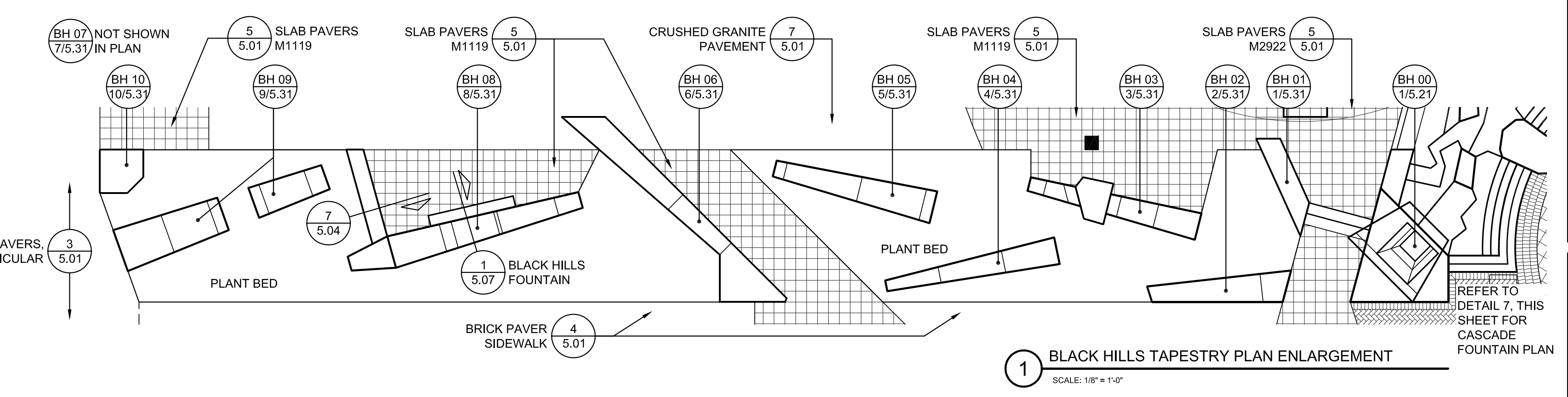
CERTIFICATION: [Signature] PROJECT: PR2010-1901  
 City #: PR2010-1901  
 Project No.: 091131  
 Date: Sept. 13, 2010  
 Drawn by: PMA  
 Checked by: DDR  
 File: 1131\_SD3.20.dwg  
 DRAWING #:  
**9949  
 PETER M.  
 ANDRIOT III**  
 SD 3.20



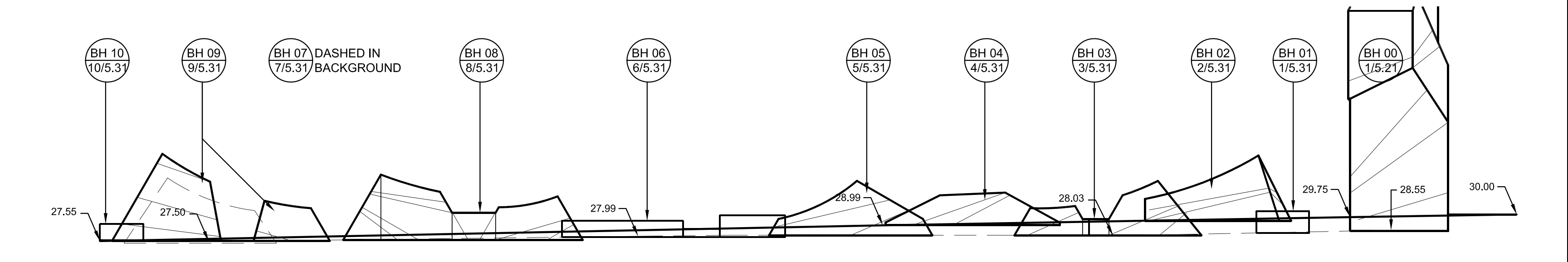
**7 BELVEDERE AND CASCADE FOUNTAIN PLAN**  
 SCALE: 1/8" = 1'-0"



**8 STAGE PLAN ENLARGEMENT**  
 SCALE: 1/8" = 1'-0"

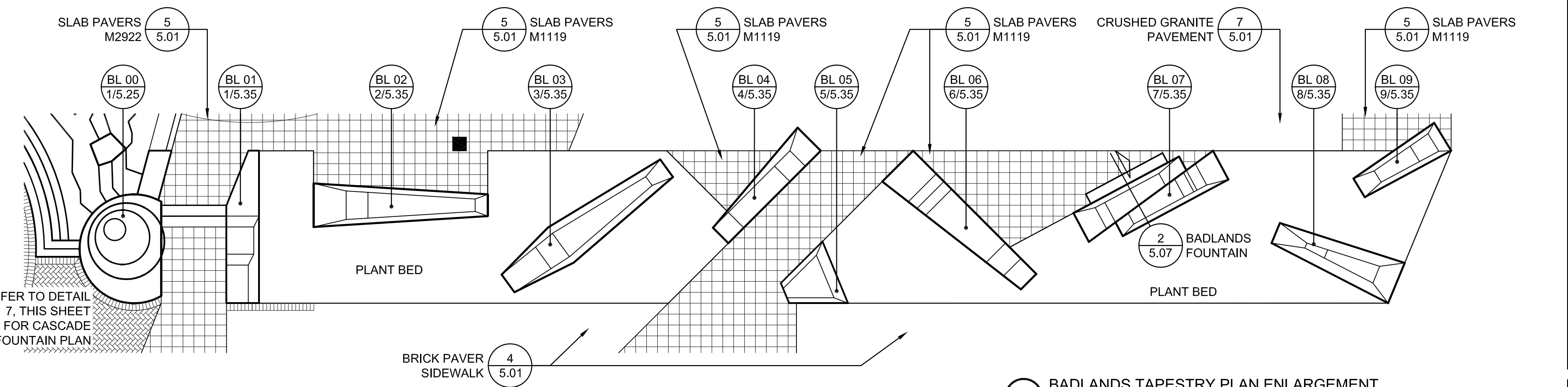


**1 BLACK HILLS TAPESTRY PLAN ENLARGEMENT**  
 SCALE: 1/8" = 1'-0"

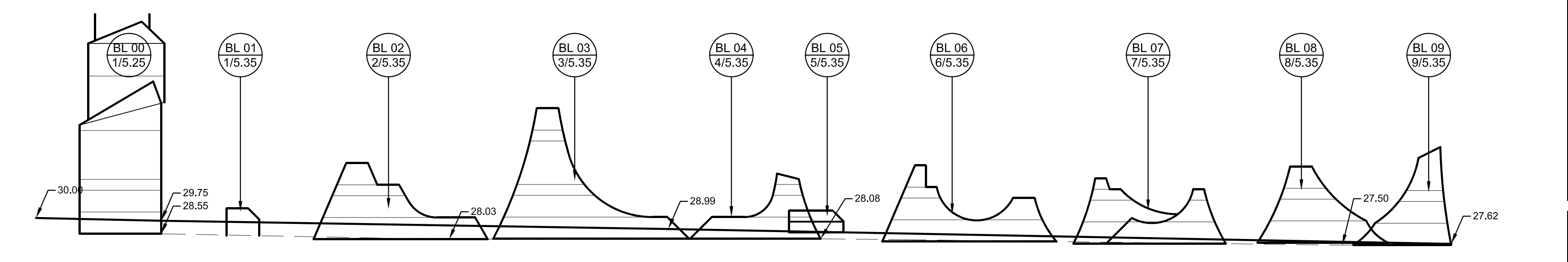


**2 BLACK HILLS TAPESTRY EAST ELEVATION**  
 SCALE: 1/8" = 1'-0"

**3 not used**  
 SCALE: 1/8" = 1'-0"



**4 BADLANDS TAPESTRY PLAN ENLARGEMENT**  
 SCALE: 1/8" = 1'-0"



**5 BADLANDS TAPESTRY SOUTH ELEVATION**  
 SCALE: 1/8" = 1'-0"

**6 not used**  
 SCALE: 1/8" = 1'-0"